

Available dunnage bar / load bar specification sheet

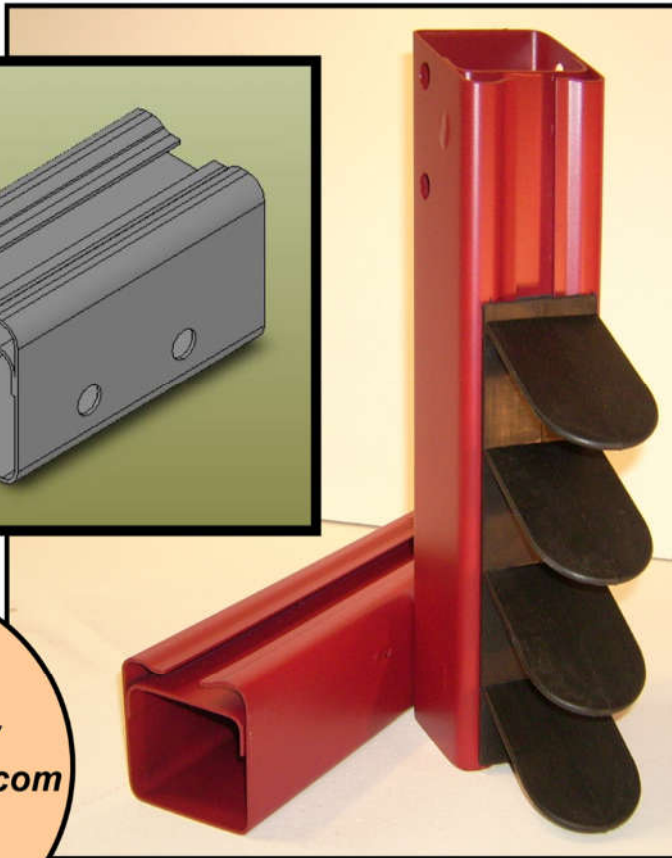
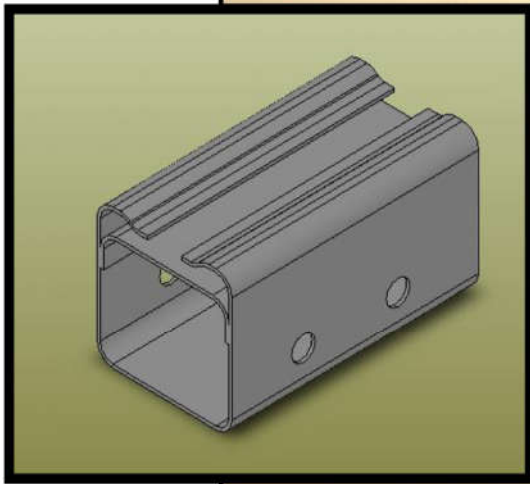
Profile	Specifications	Profile	Specifications
	<p>XF Standard</p> <p>Weights 2.28 lbs./ft. (comparable to an aluminum bar)</p> <p>RI Part # RI-5074 / 2XF</p>		<p>GM AHB Series</p> <p>Weights 2.28 lbs./ft.</p> <p>RI Part # RI-913 x 89.125" RI-914 x 89.625" RI-915 x 104" 2.5XF</p>
	<p>GM High-Strength</p> <p>Weights 5.35 lbs./ft.</p> <p>RI Part # RI-5074 3.5x3XF</p>		<p>XF Special</p> <p>Weights 3.42 lbs./ft.</p> <p>RI Part # RI-570 2.12 XF</p>
	<p>Standard Double Slot</p> <p>Weights 3.42 lbs./ft.</p> <p>RI Part # RI-5011 2 Double Slot</p>		<p>Standard Load Bar</p> <p>Weights 8 Gage 2.1 lbs./ft. Or 11 Gage 1.7 lbs./ft.</p> <p>RI Part # RI-5022 .75x1.850</p>
	<p>Standard Load Bar</p> <p>Weights 12 Gage 1.4 lbs./ft.</p> <p>RI Part # RI-5023</p>		

For more information please contact Kim Campbell @ 248-634-8267 ext.2212
or email dbars@richind.com

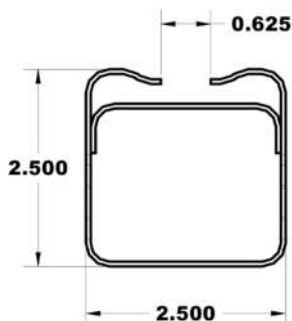


Richfield
Industries

Now offers GM AHB-Series 2-1/2" Square Dunnage Bars



*Inquire Via
Email today
Dbars@richind.com*



*For More Information
Please Contact*

Kim Campbell
248-634-8267 Ext.2212
or
email Dbars@richind.com